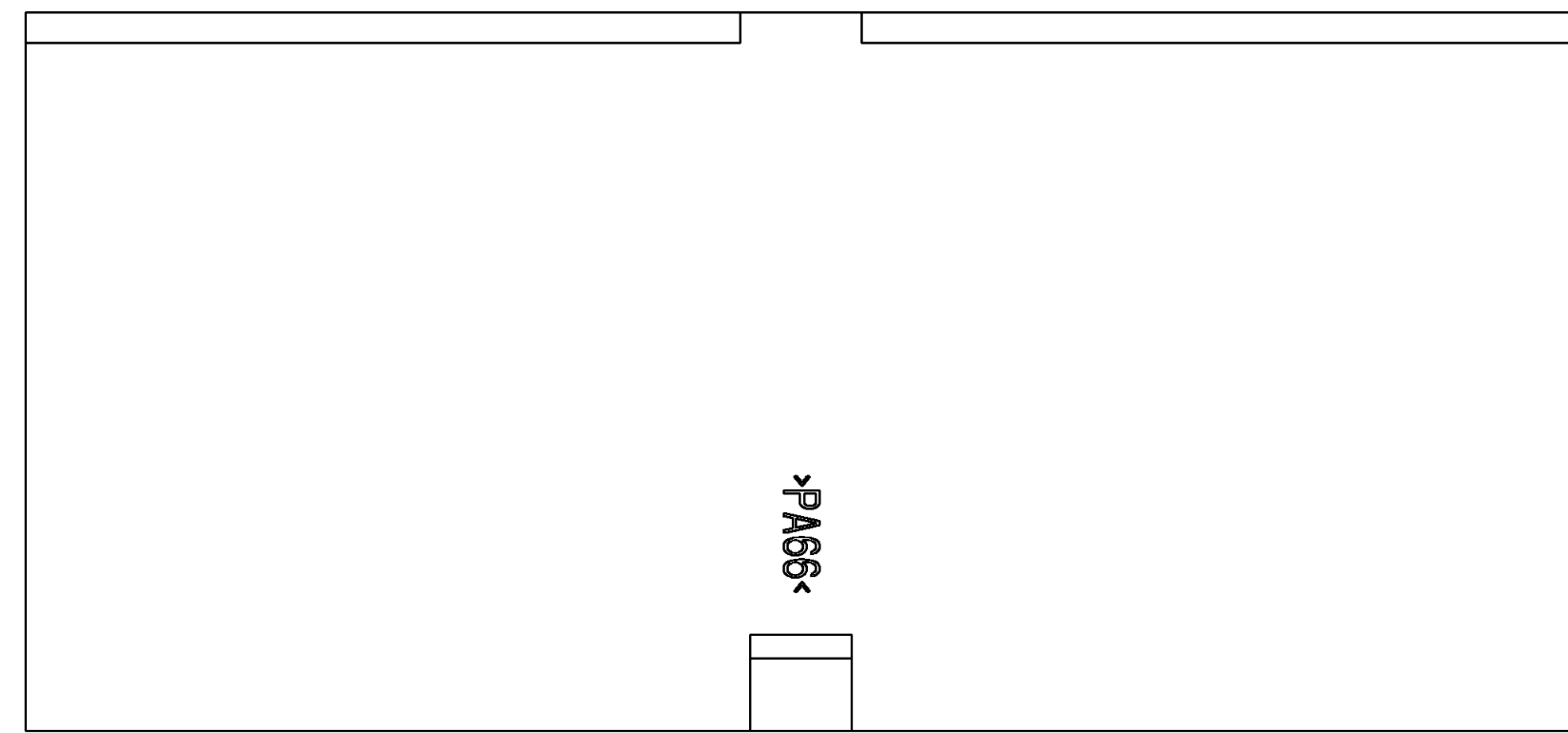
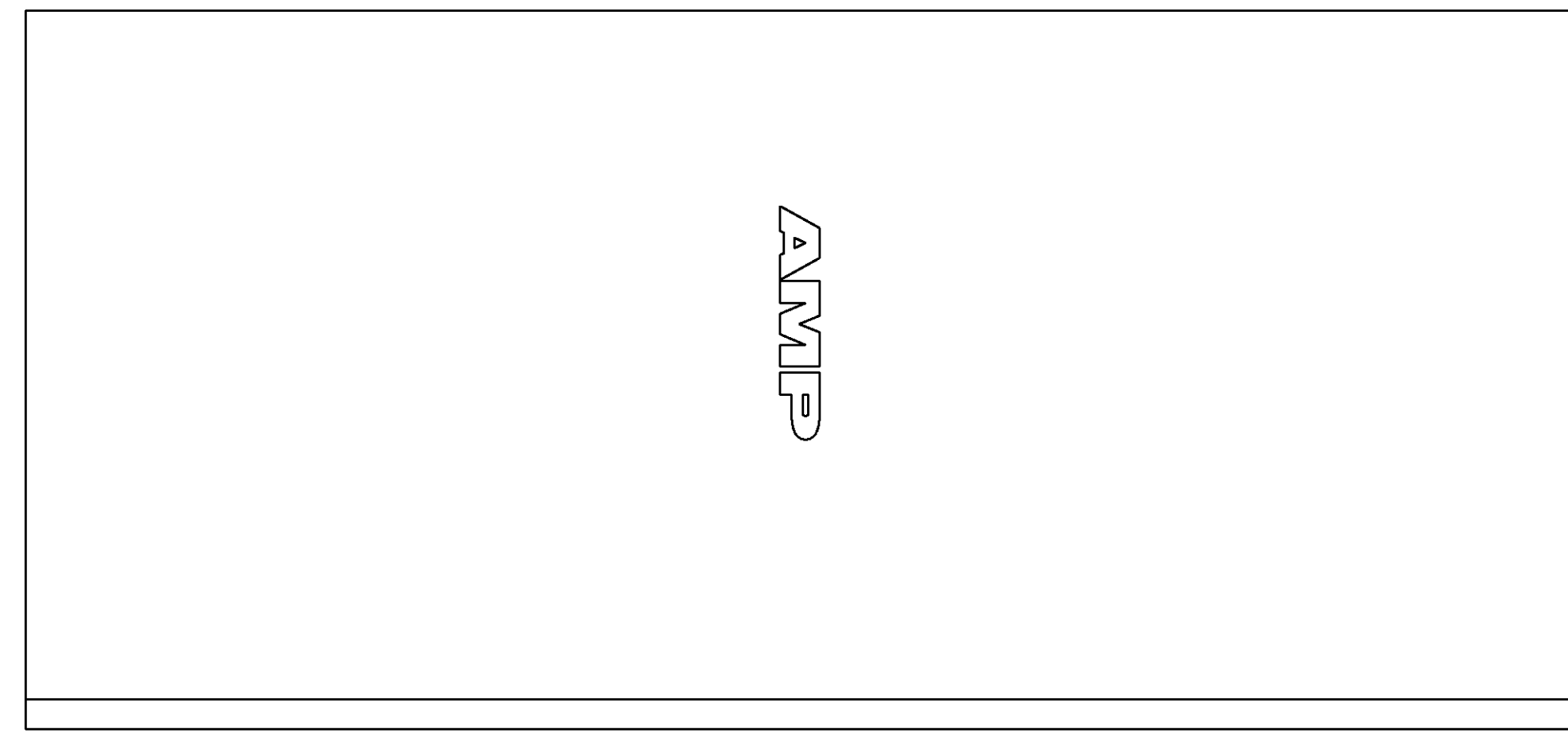
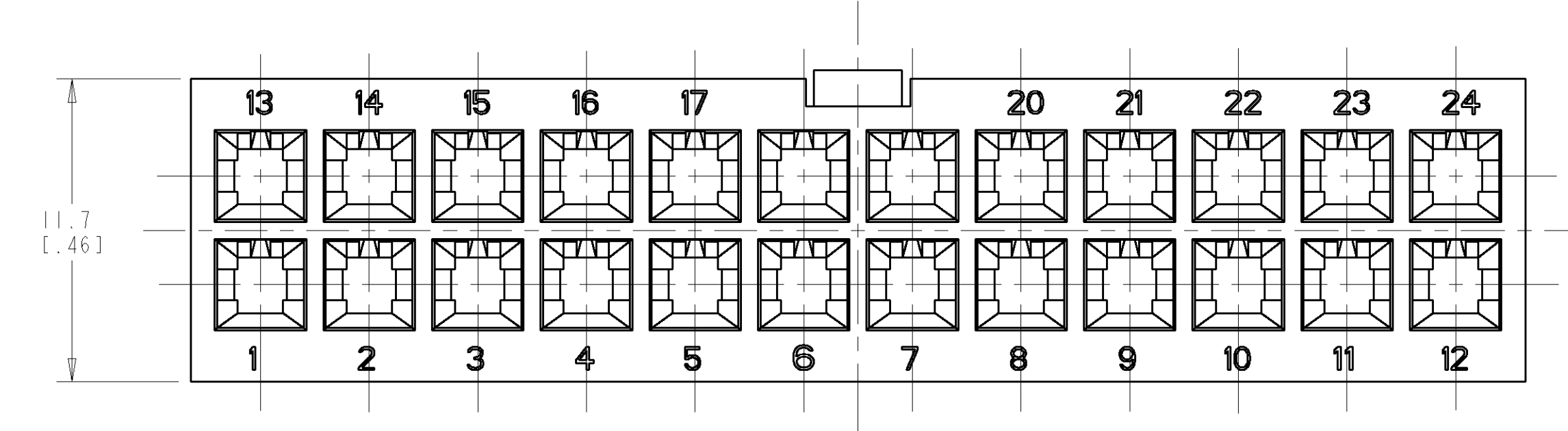
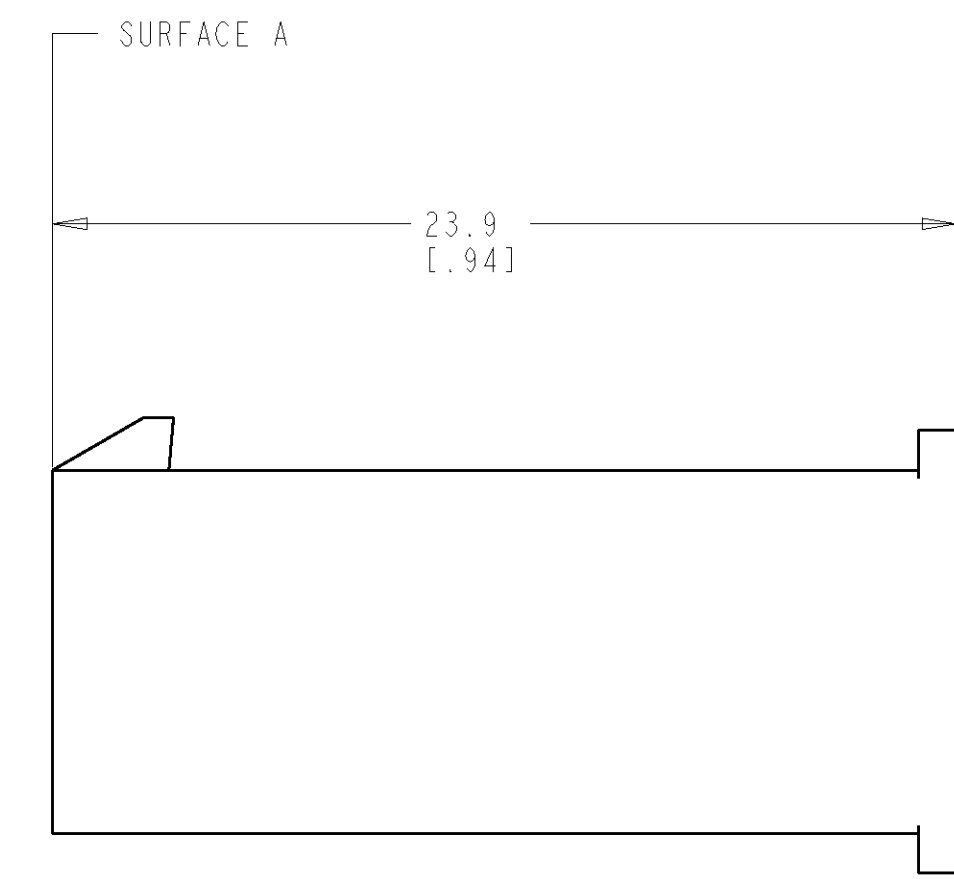
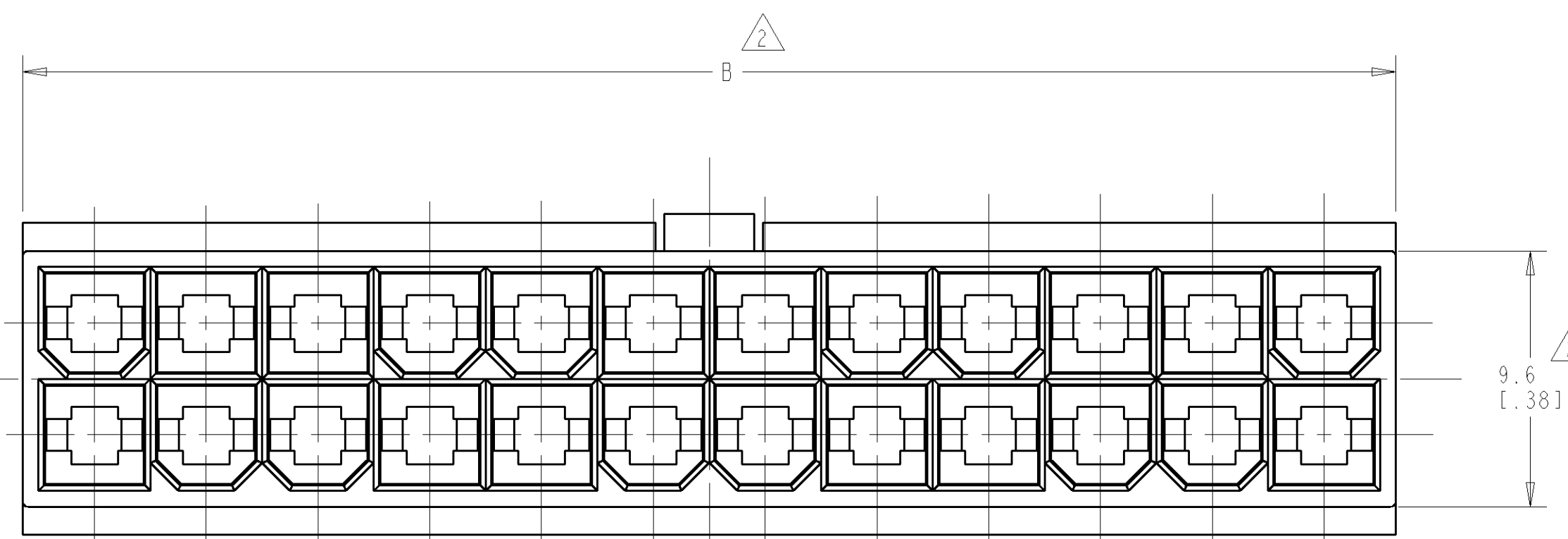


LOC	DIST	REVISIONS			
		REV	DATE	BY	APP'D
CM	53	0	RLSD PER PR CM 99-27	26MAR1999	RV RS



- △ NYLON, UL94V-2, NATURAL.
- △ DIMENSION TO BE CHECKED AT SURFACE A.
- 3. DIMENSIONS IN BRACKETS ARE IN INCHES.
- 4. MALE CONTACTS MUST BE INSERTED SO THAT THE TOP OF THE WIRE AND INSULATION CRIMPS ARE FACING THE SIDE OF THE HOUSING WITH THE LOCKING LATCH.



	NO. OF POSITIONS	PART NUMBER
51.6 [2.032]	24	2-794542-4
47.4 [1.866]	22	2-794542-2
43.2 [1.701]	20	2-794542-0
39 [1.535]	18	1-794542-8
34.8 [1.370]	16	1-794542-6
30.6 [1.205]	14	1-794542-4
26.4 [1.039]	12	1-794542-2
22.2 [0.874]	10	1-794542-0
18 [0.709]	8	794542-8
13.8 [0.543]	6	794542-6
9.6 [0.378]	4	794542-4
5.4 [0.213]	2	794542-2

METRIC

<small>THIS DRAWING IS A CONTROLLED DOCUMENT FOR AMP INCORPORATED. ALL CONTACTS TO OTHERS AND THE CONTROLLED ENGINEERING ORGANIZATION SHOULD BE CONTACTED FOR THE LATEST REVISION.</small>		DWN R VESTAL 16MAR99 CHK R SWING 16MAR99 APD C CASH 16MAR99	AMP Incorporated Harrisburg, PA 17105-3608
DIMENSIONS: mm [ INCHES ]	TOLERANCES UNLESS OTHERWISE SPECIFIED: 0 PLC ± 1 PLC ±0.21 (01) 2 PLC ± 3 PLC ± 4 PLC ± ANGLES ±0° 30'	PRODUCT SPEC APPLICATION SPEC WEIGHT CUSTOMER DRAWING	<b>AMP</b> NAME: PLUG, FREE HANGING, 2 TO 24 POSITION, AMP-DUACT™ POWER CONNECTOR SIZE: A   CAGE CODE: 00779   DRAWING NO: 794542 SCALE: 4:1   SHEET: 1 OF 1   REV: 0